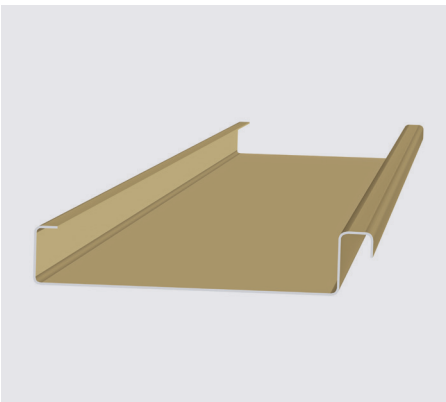
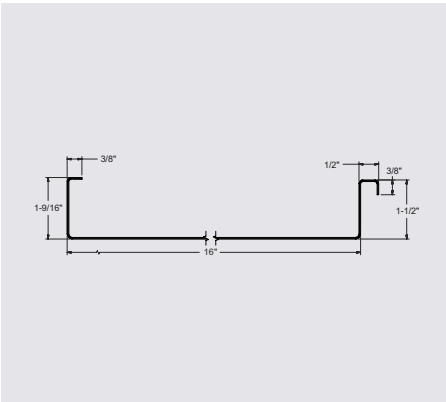
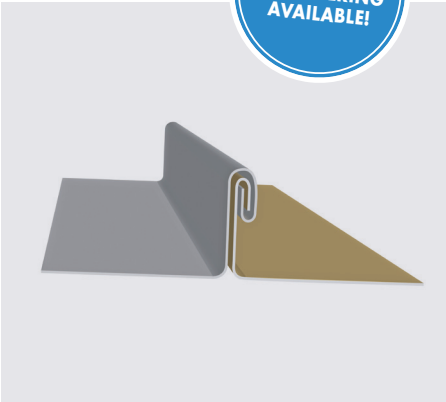


E SMI 1.5" MECHANICAL SEAM PANEL PROFILE



* Available in steel only.

PANEL INFORMATION

Panel Type	Standing Seam
Panel Seam	Mechanical
Panel Width	16"
Seam Height	1.5"
Panel Material	22 ga–24 ga min, .032–.040
Panel Surface	Smooth / Embossed Optional
Panel Clip	Required Per Engineering
Minimum Slope	2/12
Substrate	Plywood, B-Deck, B-Deck w/ISO

PANEL TESTING

Uplift Resistance	UL 580, UL 1897, UL 90
Air Infiltration	ASTM E 1680
Wind Driven Rain	TAS 100
Water Penetration	ASTM E 1646
Water Submersion	ASTM E 2140
Hail Rating	Class 4 Impact UL 2218
Fire Rating	UL Class A
Texas Department of Insurance Approval	RC-386*, RC-395*, RC-397*
FBC HVHZ & Non-HVHZ Approval	FL18316

PANEL NOTES

With this panel engineering, you may opt to use heavier gauge coil and narrower width panels. Clip spacing will not change.

For slopes lower than a 2/12 roof pitch, contact SMI Technical Department for further installation direction and requirements.

This panel uses a 20" coil. Maximum width coil of 20".

This panel uses 4" of material to form the panel.

Divide the coil width by the panel width to determine your roof multiplier. Take the square footage of the roof and multiply that by the roof multiplier to determine the amount of coil needed to manufacture the panels. This does not include estimated waste.

This panel is approved for Weathertight Warranties.