



# CONSTRUCTION MATERIALS

## TECHNOLOGIES

### LABORATORY TEST REPORT

**Report for:** Sheffield Metals International  
5467 Evergreen Parkway  
Sheffield Village, OH 44054

**Attention:** Adam Mazzella

|  |   |
|--|---|
| <b>Product Names:</b> SMI 2.0" Mechanical Seam Standing Seam | <b>Manufacturer:</b> Sheffield Metals International |
| <b>Project No.:</b> SHMI-002-02-03                           | <b>Source:</b> Sheffield Metals International       |
| <b>Date Received:</b> Nov. 14, 2017                          | <b>Date Tested:</b> Jan. 19, 2018                   |

**Purpose:** Determine air leakage and water penetration in accordance with **ASTM E 1680: Standard Test Method for Rate of Air Leakage Through Exterior Metal Roof Panel Systems** and **ASTM E 1646: Standard Test Method for Water Penetration of Exterior Metal Roof Panel Systems by Uniform Static Air Pressure Difference**, respectively.

**Test Methods:** Testing for rate of air leakage was completed as described in ASTM E 1680-11: Standard Test Method for Rate of Air Leakage Through Exterior Metal Roof Panel Systems followed by testing for water penetration in accordance with ASTM E 1646-95 (2011): Standard Test Method for Water Penetration of Exterior Metal Roof Panel Systems by Uniform Static Air Pressure Difference.

The test specimen was 56" long (three 18" spans) and 56" wide installed over spaced supports.

**Sampling:** SMI 2.0" Mechanical Seam Standing Seam panels, clips and fasteners were supplied by Sheffield Metals International. All other materials were provided by PRI Construction Materials Technologies LLC and purchased through local distribution.

**Panel Description:** SMI 2.0" MS: Min. 0.038" 3105 H22 aluminum alloy ( $F_y = 17.6$  ksi) preformed, 180° mechanical standing seam panels; 16" wide installed coverage; Profile drawing is contained in Appendix A.

Clips: Two-piece galvanized steel clip; 2.5" long x 22 ga. expansion top; 6" long x 18 ga. base. Clips secured to supports with two (2) #14-13 PH, DP1 screws per clip. Clip drawing is contained in Appendix A.

SHMI-002-02-03.1 PRI-CMT Accreditations: AAMA; CRRC; IAS; LA-DBS; Miami-Dade; State of Florida; UL  
The test results, opinions, or interpretations are based on the material supplied by the client. This report is for the exclusive use of stated client. No reproduction or facsimile in any form can be made without the client's permission. This report shall not be reproduced except in full without the written approval of this laboratory. PRI Construction Materials Technologies LLC assumes no responsibility nor makes a performance or warranty statement for this material or products and processes containing this material in connection with this report.

**Results:**


Table 1. Summary of Test Results

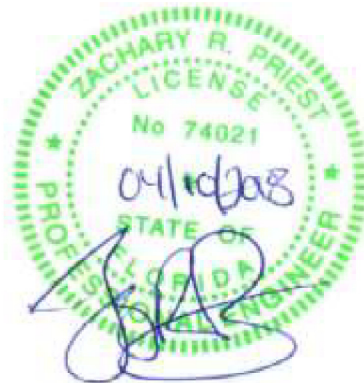
| Specimens   | Test Method | Test Pressure (psf) | Result | Requirement |
|---|-------------|---------------------|--------|-------------|
| SMI 2.0" MS;<br>18" span; 56" x 56" specimen  |             |                     |        |             |
| Preload   | ASTM E 1680 | ±15.0               | Pass   | Report      |
| Air Exfiltration (cfm/ft <sup>2</sup> )   | ASTM E 1680 | -1.57               | 0.004  | Report      |
| Air Infiltration (cfm/ft <sup>2</sup> )   | ASTM E 1680 | +1.57               | 0.003  | Report      |
| Water Penetration Resistance<br>5.0 US gal/ft <sup>2</sup> /h for 15 min<br>ponded water depth ½-¾" | ASTM E 1646 | +6.24               | Pass   | Report      |

**Statement of Attestation:**

Testing was conducted in accordance **ASTM E 1680: Standard Test Method for Rate of Air Leakage Through Exterior Metal Roof Panel Systems** and **ASTM E 1646: Standard Test Method for Water Penetration of Exterior Metal Roof Panel Systems by Uniform Static Air Pressure Difference**.

Signed:

  
 Zachary Priest, P.E.  
 Director



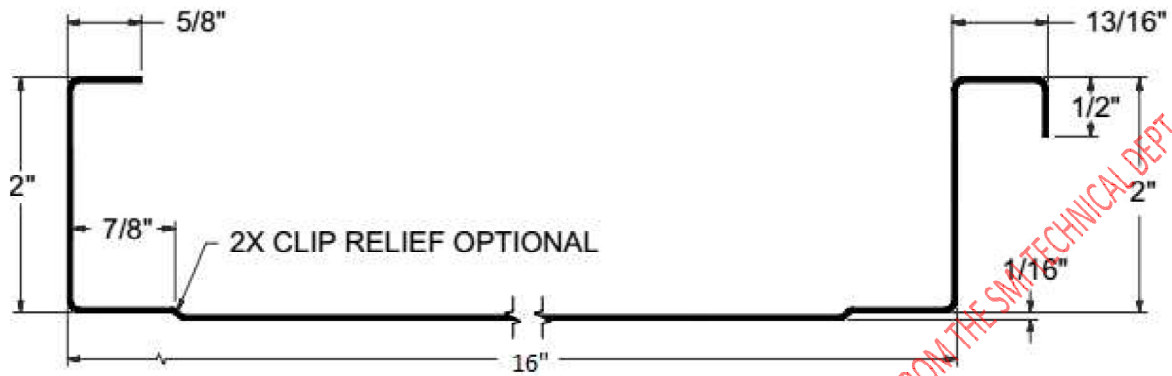
**Report Issue History:**

| Issue #  | Date       | Pages | Revision Description (if applicable) |
|----------|------------|-------|--------------------------------------|
| Original | 02/13/2018 | 4     | NA                                   |
| Rev 1    | 04/10/2018 | 4     | Updated clip information             |

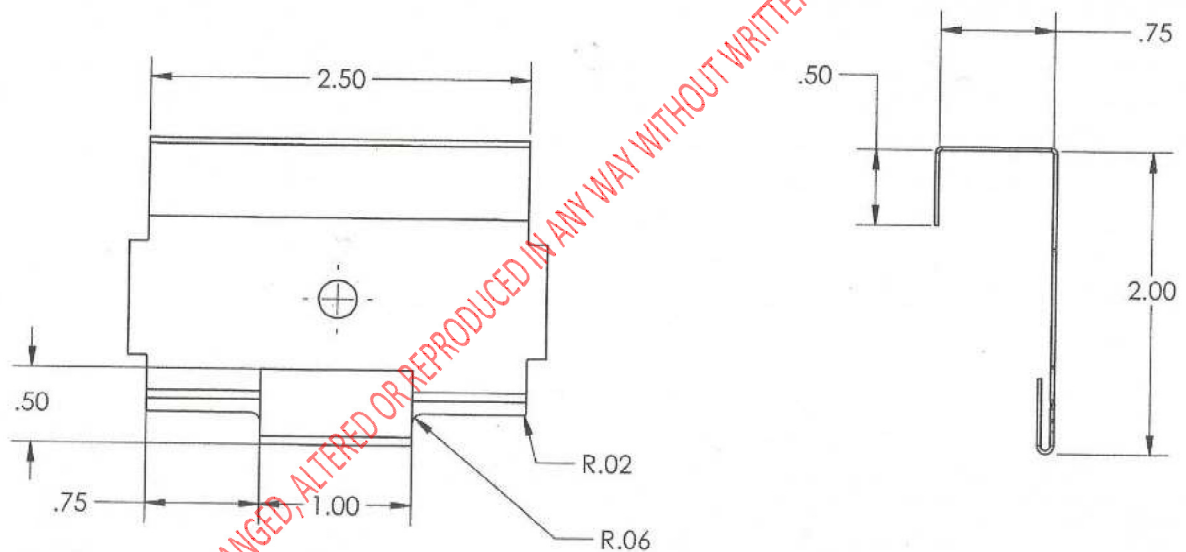
SHMI-002-02-03.1

PRI-CMT Accreditations: AAMA; CRRC; IAS; LA-DBS; Miami-Dade; State of Florida; UL

The test results, opinions, or interpretations are based on the material supplied by the client. This report is for the exclusive use of stated client. No reproduction or facsimile in any form can be made without the client's permission. This report shall not be reproduced except in full without the written approval of this laboratory. PRI Construction Materials Technologies LLC assumes no responsibility nor makes a performance or warranty statement for this material or products and processes containing this material in connection with this report.



**SMI 2.0" Mechanical Seam Standing Seam Panel Profile**

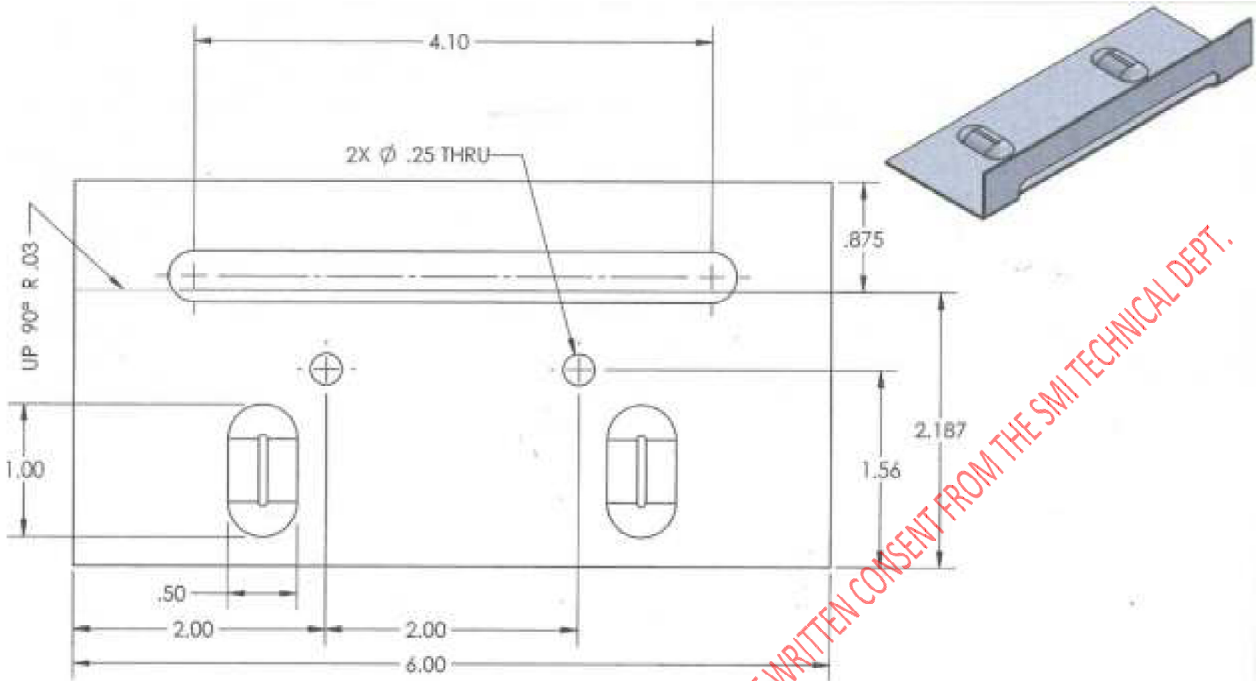


**SMI 2.0" MS Articulating Expansion Top**

SHMI-002-02-03.1

PRI-CMT Accreditations: AAMA; CRRC; IAS; LA-DBS; Miami-Dade; State of Florida; UL

The test results, opinions, or interpretations are based on the material supplied by the client. This report is for the exclusive use of stated client. No reproduction or facsimile in any form can be made without the client's permission. This report shall not be reproduced except in full without the written approval of this laboratory. PRI Construction Materials Technologies LLC assumes no responsibility nor makes a performance or warranty statement for this material or products and processes containing this material in connection with this report.



**SMI 2.0" MS Clip Base (18 ga. galvanized steel)**

**END OF REPORT**

SHMI-002-02-03.1

PRI-CMT Accreditations: AAMA; CRRC; IAS; LA-DBS; Miami-Dade; State of Florida; UL

The test results, opinions, or interpretations are based on the material supplied by the client. This report is for the exclusive use of stated client. No reproduction or facsimile in any form can be made without the client's permission. This report shall not be reproduced except in full without the written approval of this laboratory. PRI Construction Materials Technologies LLC assumes no responsibility nor makes a performance or warranty statement for this material or products and processes containing this material in connection with this report.