



Construction No. 603
TGKX.603
Roof Deck Constructions

[Page Bottom](#)

Design/System/Construction/Assembly Usage Disclaimer

- Authorities Having Jurisdiction should be consulted in all cases as to the particular requirements covering the installation and use of UL Listed or Classified products, equipment, system, devices, and materials.
 - Authorities Having Jurisdiction should be consulted before construction.
 - Fire resistance assemblies and products are developed by the design submitter and have been investigated by UL for compliance with applicable requirements. The published information cannot always address every construction nuance encountered in the field.
 - When field issues arise, it is recommended the first contact for assistance be the technical service staff provided by the product manufacturer noted for the design. Users of fire resistance assemblies are advised to consult the general Guide Information for each product category and each group of assemblies. The Guide Information includes specifics concerning alternate materials and alternate methods of construction.
 - Only products which bear UL's Mark are considered as Classified, Listed, or Recognized.
-

Roof Deck Constructions

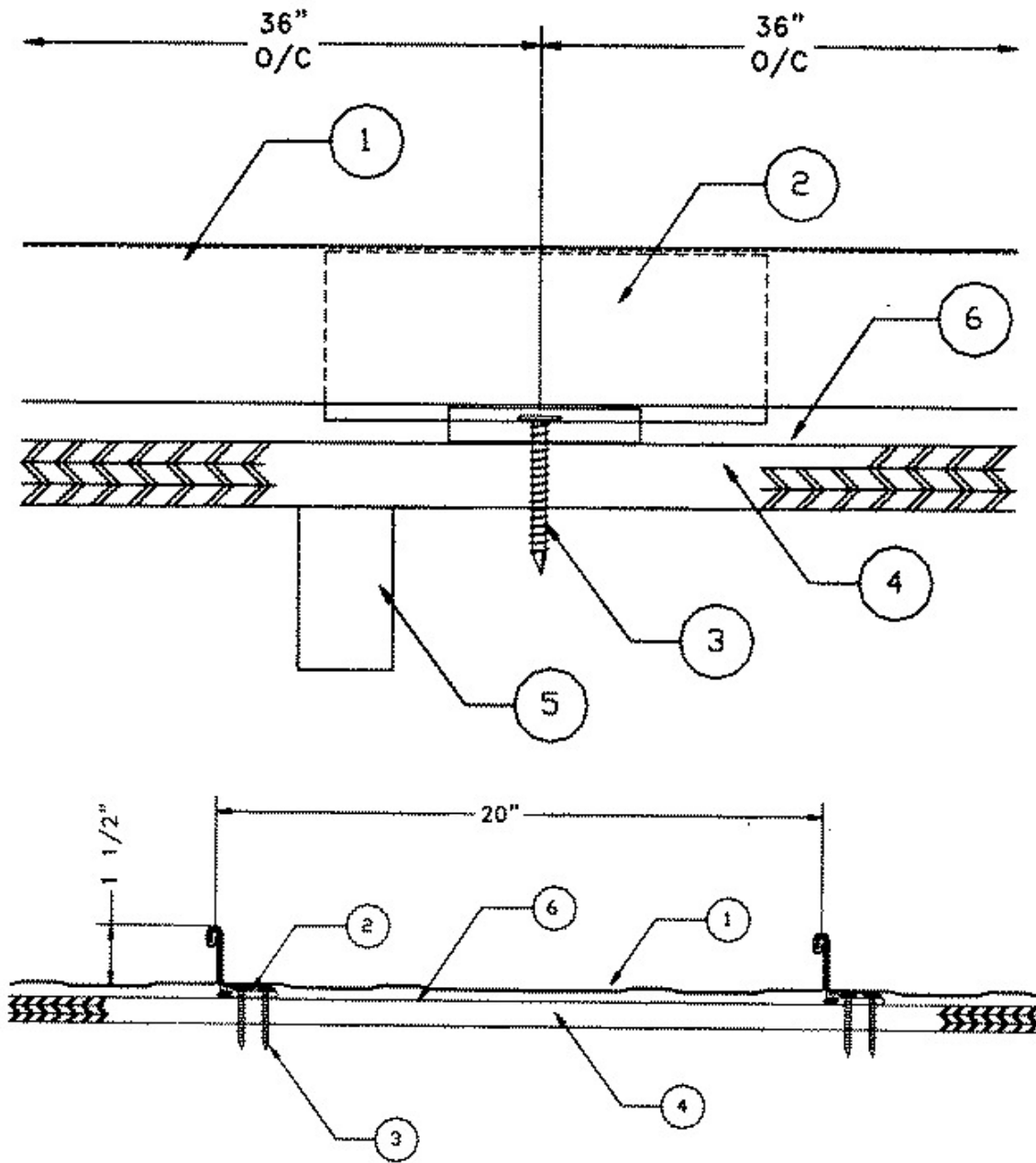
[See General Information for Roof Deck Constructions](#)

Construction No. 603

February 27, 2012

Uplift — Class 90

Fire Not Investigated



1. **Metal Roof Deck Panels*** — Min. 0.032 in. thick embossed aluminum; width 20 in. max., height of female rib 1-1/2 in., male rib 1-29/64 in. Panels continuous over three or more clips with no end-laps. A bead of sealant may be used at panel ribs. Panel ribs seamed with an electric seamer with seaming operation to include upper portion of panel clip (Item 2).

ADMIRAL BUILDING PRODUCTS INC ([View Classification](#)) — "Admiral Mechanical Lock 1.5" High Standing Seam"

AMERICAN CONSTRUCTION METALS ([View Classification](#)) — "MechLOC"

BOAK & SONS INC ([View Classification](#)) — "1.5 - BSMS"

EAGLE METALS MFG INC — "Eagle Metals 1.5" Mechanical Seam Panel"

INTEGRIS METALS INC ([View Classification](#)) — "Integris 1-1/2 in. System 3"

METAL FORMING INC ([View Classification](#)) — "1-1/2 in. Mechanical Lock"

MID-SOUTH METAL PRODUCTS ([View Classification](#)) — "MSMP 1 1/2 in. Mechanical Lock"

NEW TECH MACHINERY CORP ([View Classification](#)) — "SS150"

PETERSEN DEAN COMMERCIAL INC ([View Classification](#)) — "1.5" Double Lock"

PREMIUM PANELS INC ([View Classification](#)) — "Premium Lock 150" or "P.L. 150"

ROLLFAB METAL BUILDING PRODUCTS ([View Classification](#)) — "1-1/2 in. Mechanical Lock"

SHEET METAL WORKS OF ARIZONA ([View Classification](#)) — "MS150"

SHEFFIELD METALS INTERNATIONAL ([View Classification](#)) — "SMI 1 1/2" Mechanical Seam"

UNION CORRUGATING CO ([View Classification](#)) — "ML150"

U S METALS L L C ([View Classification](#)) — "US-150"

2. **Roof Deck Fasteners* (Panel Clips)** — Two part assembly consisting of an upper tab and a base. The upper tab is 4-1/4 in. wide and 2 in. high and is fabricated from min. 0.030 in. thick stainless steel. The base is 1-7/8 in. wide and 1-5/8 in. long and is fabricated from min. No. 16 MSG coated steel. Clips are to be spaced 36 in. OC max.

METAL FORMING INC ([View Classification](#)) — "1500SC"

3. **Panel Fasteners (Screws)** — Fasteners used to attach the panels clips to the plywood decking to be No. 1/4-13 by 1-5/8 in. long No. 3 Phillips drive, truss head coated steel screws. Two screws are to be used per clip

4. **Plywood Deck** — Nominal 5/8 in. (19/32 in. actual) plywood, Grade C-D, APA rated. Fastened to supports (joists) using No. 8 by 2-1/2 in. long, No. 2 Phillips Drive, coarse thread, bugle head, steel screws. Spaced 6 in. OC max. at the butt ends and 12 in. OC max. in the field. All joints to be sealed with a one part urethane sealant feathered out from the joint.

5. **Joists** — Graded dimensional lumber, No. 2 or better. Spaced 24 in. OC max.

6. **Ply Sheet*** — Any UL Classified underlayment, min. 2 in. sidelap, mechanically fastened.

7. **Joist Hangers** — (Not Shown) - No. 18 MSG coated steel, open seat type.

Refer to general information, Roof Deck Construction, for Items not evaluated.

*Bearing the UL Classification Mark

Last Updated on 2012-02-27

[Questions?](#)

[Print this page](#)

[Notice of Disclaimer](#)

[Page Top](#)

© 2012 UL LLC

The appearance of a company's name or product in this database does not in itself assure that products so identified have been manufactured under UL's Follow-Up Service. Only those products bearing the UL Mark should be considered to be Listed and covered under UL's Follow-Up Service. Always look for the Mark on the product.

UL permits the reproduction of the material contained in the Online Certification Directory subject to the following conditions: 1. The Guide Information, Designs and/or Listings (files) must be presented in their entirety and in a non-misleading manner, without any manipulation of the data (or drawings). 2. The statement "Reprinted from the Online Certifications Directory with permission from UL" must appear adjacent to the

extracted material. In addition, the reprinted material must include a copyright notice in the following format: "© 2012 UL LLC".