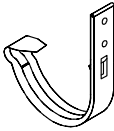


# HALF-ROUND GUTTER + ACCESSORIES

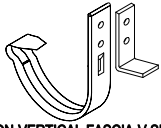


## GUTTER SUPPORT BRACKETS ①

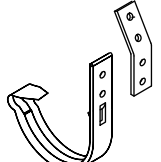
### VERTICAL FASCIA



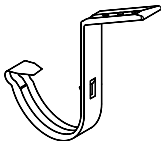
### NON-VERTICAL FASCIA-L SUPPORT



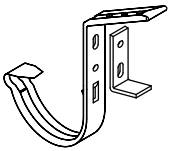
### NON-VERTICAL FASCIA-V SUPPORT



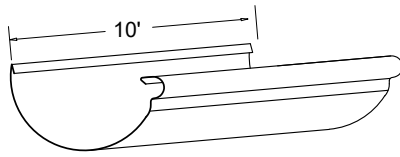
### ROOF MOUNT



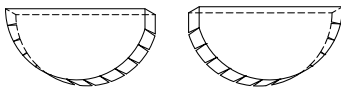
### ROOF MOUNT NON-VERTICAL FASCIA



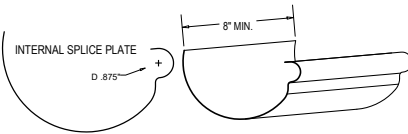
## HALF ROUND GUTTER



## HALF ROUND END CAPS

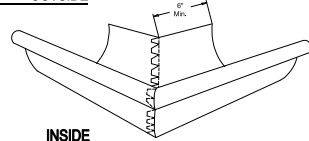


## SPLICE PLATES

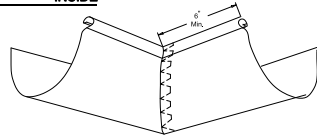


## MITERED CORNERS

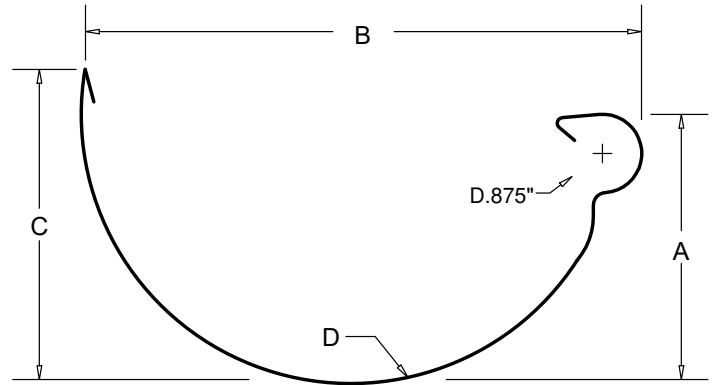
### OUTSIDE



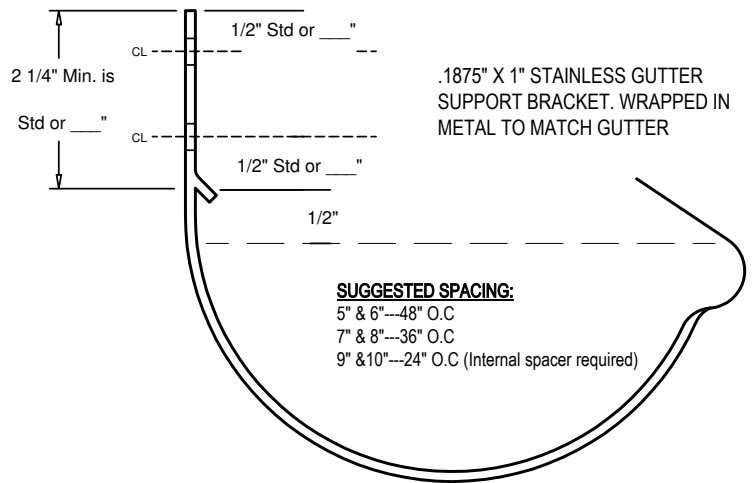
### INSIDE



## GUTTER DETAIL



## STANDARD BRACKET DETAIL ①



SIZE:	A	B	C	D
<input type="checkbox"/> 5"	2 1/2"	5 1/4"	3"	2 1/2" Radius
<input type="checkbox"/> 6"	3"	6 1/4"	3 1/2"	3" Radius
<input type="checkbox"/> 7"	3 1/2"	7 1/4"	4"	3 1/2" Radius
<input type="checkbox"/> 8"	4"	8 1/4"	4 1/2"	4" Radius
<input type="checkbox"/> 9"	4 1/2"	9 1/4"	5"	4 1/2" Radius
<input type="checkbox"/> 10"	5"	10 1/4"	5 1/2"	5" Radius

MATERIAL ②	
22GA STEEL	.032 ALUMINUM
24GA STEEL	.040 ALUMINUM
26GA STEEL (limited color availability)	.050 ALUMINUM
22GA STAINLESS STEEL	16OZ COPPER
24GA STAINLESS STEEL	20OZ COPPER
26GA STAINLESS STEEL	

## NOTES:

- For a non-standard bracket detail--please circle the correct bracket above and a print approval will be sent with your quote
- For products/material not listed, please inquire.

## COMMENTS:

**RESET FORM** **SAVE FORM**

**EMAIL FORM**

**COLOR:** Select Color

## QUANTITIES

\_\_\_\_ LINEAL FEET @ 10'-0" LTHS  
 \_\_\_\_ OUTSIDE MITERS @ 90°  
 \_\_\_\_ INSIDE MITERS @ 90°  
 \_\_\_\_ ENDCAPS: R: \_\_\_\_ L: \_\_\_\_  
 \_\_\_\_ SPLICE PLATES  
 \_\_\_\_ EXPANSION JOINTS

## GUTTER SUPPORT BRACKET QUANTITIES:

\_\_\_\_ VERTICAL FASCIA  
 \_\_\_\_ NON-VERTICAL FASCIA-L SUPPORT  
 55 \_\_\_\_ NON-VERTICAL FASCIA-V SUPPORT  
 \_\_\_\_ ROOF MOUNT  
 \_\_\_\_ ROOF MOUNT NON-VERTICAL FASCIA

## PRINT APPROVED BY:

\_\_\_\_\_  
 (SIGNATURE) (DATE)

A SIGNED PRINT APPROVAL SIGNIFIES A CUSTOMER HAS VERIFIED ALL DIMENSIONS, SIZES, QUANTITIES, AND MATERIAL TYPES.

FABRICATION WILL PROCEED ONLY AFTER RECEIPT OF SIGNED PRINT APPROVAL

## PROJECT INFORMATION

\_\_\_\_\_  
 (PROJECT NAME)

\_\_\_\_\_  
 (ARCHITECT)

\_\_\_\_\_  
 (CUSTOMER)

\_\_\_\_\_  
 (REPRESENTATIVE/ DISTRIBUTOR)

**Roof Drainage Components & Accessories, Inc**

60 Don Wesbrook Ave North  
 Jasper, GA 30143

706-692-7333

sheffield@rdcaa.com

www.rdcaa.com