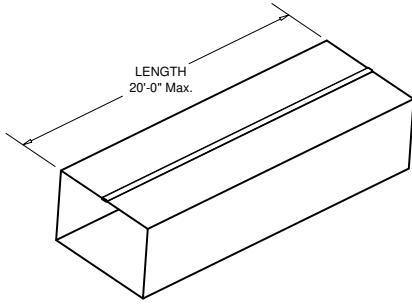


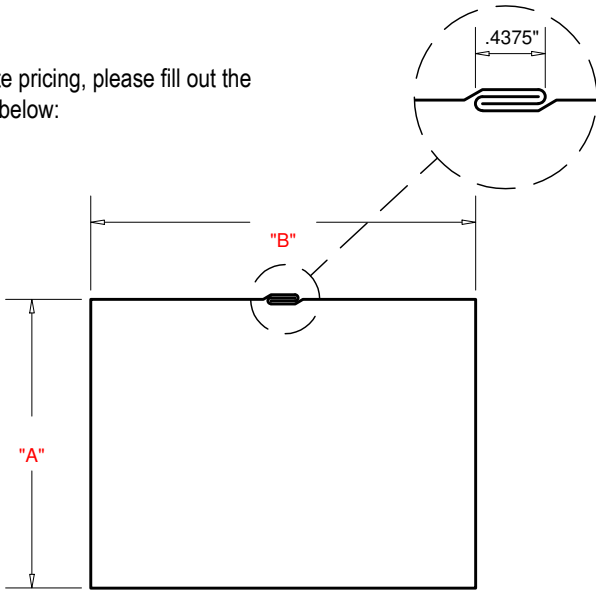
BOX DOWNSPOUT + ACCESSORIES

BOX DOWNSPOUT



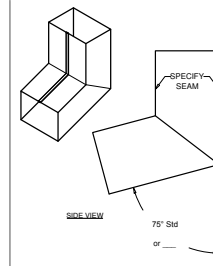
*DOWNSPOUT SIZE

*For accurate pricing, please fill out the dimensions below:

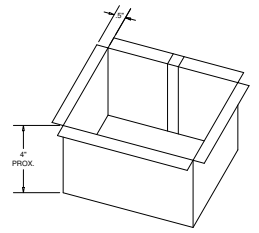


RESET FORM SAVE FORM EMAIL FORM

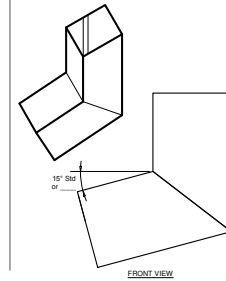
A STYLE ELBOW



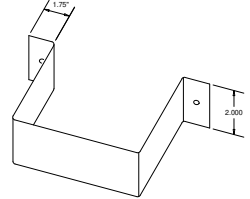
OUTLET TUBES



B STYLE ELBOW

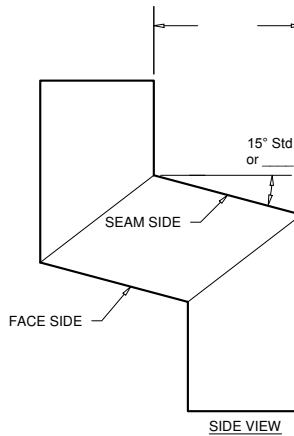


DOWNSPOUT STRAPS

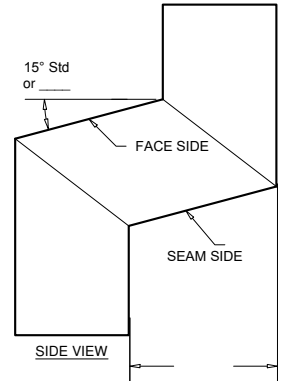


ONE-PIECE OFFSETS

"UP" STYLE (EAVE)



"DOWN" STYLE (LEDGE)



QUANTITIES:

_____ TOTAL FEET OF DOWNSPOUT _____ REQUESTED LENGTH PER PIECE
 _____ OUTLET TUBES
 _____ ELBOWS (STD. 75°)
 STYLE A: _____ SEAM LONG SIDE SEAM SHORT SIDE STYLE B: _____ LEFT TURN RIGHT TURN
 _____ ELBOWS (CUSTOM DEGREE) _____ °
 STYLE A: _____ SEAM LONG SIDE SEAM SHORT SIDE STYLE B: _____ LEFT TURN RIGHT TURN
 _____ ONE-PIECE OFFSETS _____ " OFFSET AMOUNT
 STYLE A: _____ EAVE LEDGE STYLE B: _____ LEFT TURN RIGHT TURN
 _____ STRAPS (STANDARD =2 PER 10' DOWNSPOUT)

MATERIAL

22GA STEEL	.032 ALUMINUM
24GA STEEL	.040 ALUMINUM
26GA STEEL (limited color availability)	.050 ALUMINUM
	.063 ALUMINUM
22GA STAINLESS STEEL	
24GA STAINLESS STEEL	16OZ COPPER
26GA STAINLESS STEEL	20OZ COPPER

COLOR: Select Color

PRINT APPROVED BY:

(SIGNATURE) (DATE)

A SIGNED PRINT APPROVAL SIGNIFIES A CUSTOMER HAS VERIFIED ALL DIMENSIONS, SIZES, QUANTITIES, AND MATERIAL TYPES.

FABRICATION WILL PROCEED ONLY AFTER RECEIPT OF SIGNED PRINT APPROVAL

PROJECT INFORMATION

(PROJECT NAME)

(ARCHITECT)

(CUSTOMER)

(REPRESENTATIVE/ DISTRIBUTOR)

Roof Drainage Components & Accessories, Inc

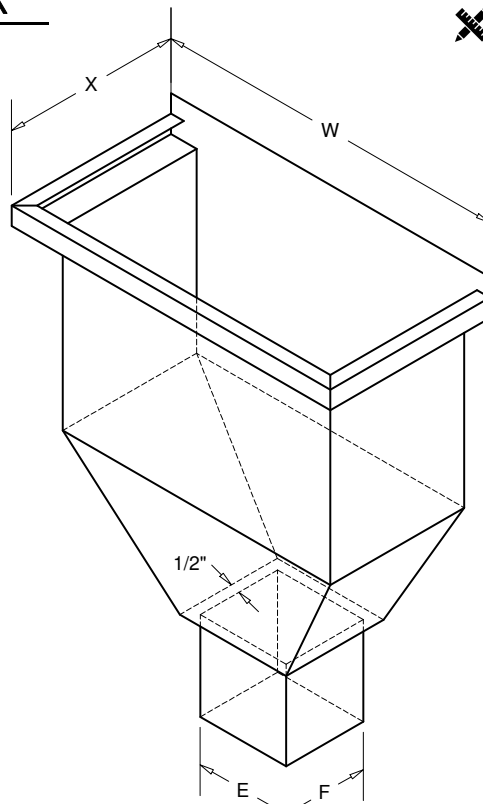
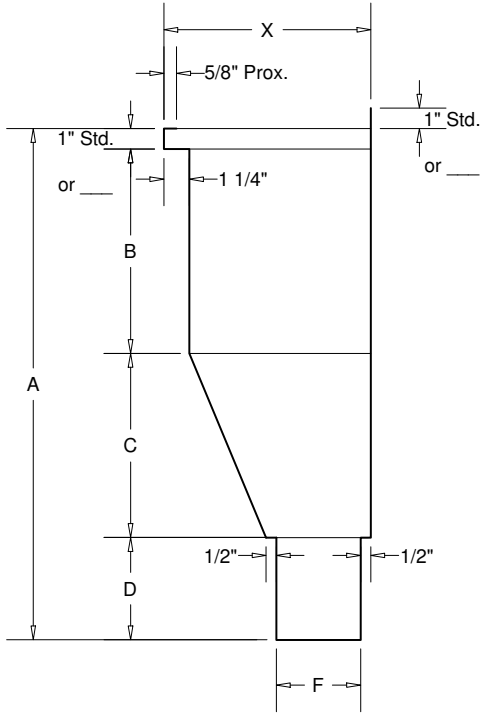
60 Don Wesbrook Ave North
Jasper, GA 30143

706-692-7333

sheffield@rdcaa.com

www.rdcaa.com

COLLECTOR BOX

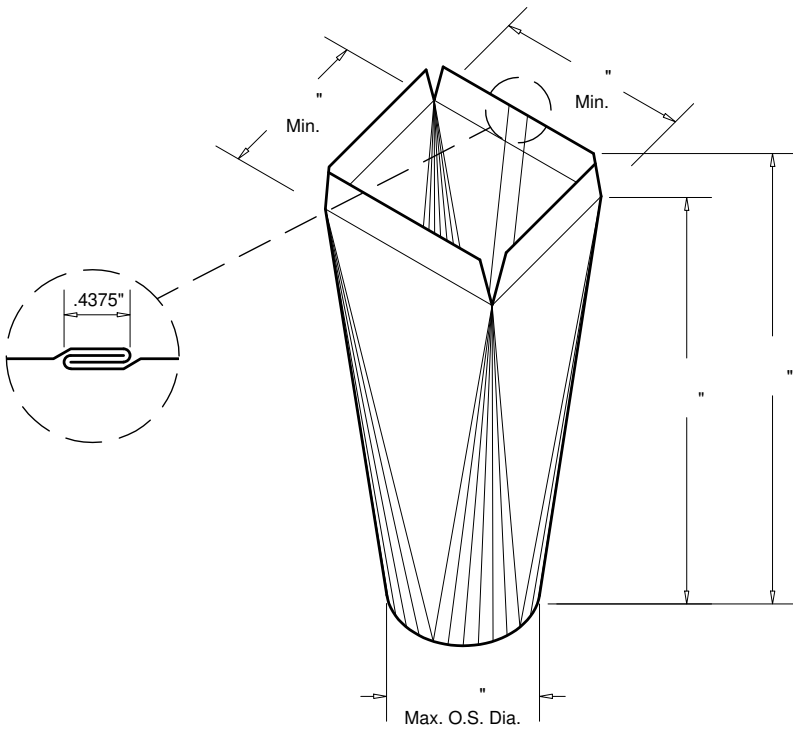


✂ QUANTITY _____

SIZES

A = _____
 B = _____
 C = _____
 D = _____
 E = _____
 F = _____
 W = _____
 X = _____

TRANSITION



MATERIAL

- | | |
|---|---------------|
| 22GA STEEL | .032 ALUMINUM |
| 24GA STEEL | .040 ALUMINUM |
| 26GA STEEL (limited color availability) | .050 ALUMINUM |
| | .063 ALUMINUM |
| 22GA STAINLESS STEEL | 16OZ COPPER |
| 24GA STAINLESS STEEL | 20OZ COPPER |
| 26GA STAINLESS STEEL | |

🏷 COLOR: Select Color

✂ QUANTITY _____

RESET FORM **SAVE FORM** **EMAIL FORM**

PRINT APPROVED BY:

 (SIGNATURE) (DATE)

A SIGNED PRINT APPROVAL SIGNIFIES A CUSTOMER HAS VERIFIED ALL DIMENSIONS, SIZES, QUANTITIES, AND MATERIAL TYPES.

FABRICATION WILL PROCEED ONLY AFTER RECEIPT OF SIGNED PRINT APPROVAL

PROJECT INFORMATION

 (PROJECT NAME)

 (ARCHITECT)

 (CUSTOMER)

 (REPRESENTATIVE/ DISTRIBUTOR)

Roof Drainage Components & Accessories, Inc

60 Don Wesbrook Ave North
 Jasper, GA 30143

706-692-7333

sheffield@rdcaa.com

www.rdcaa.com