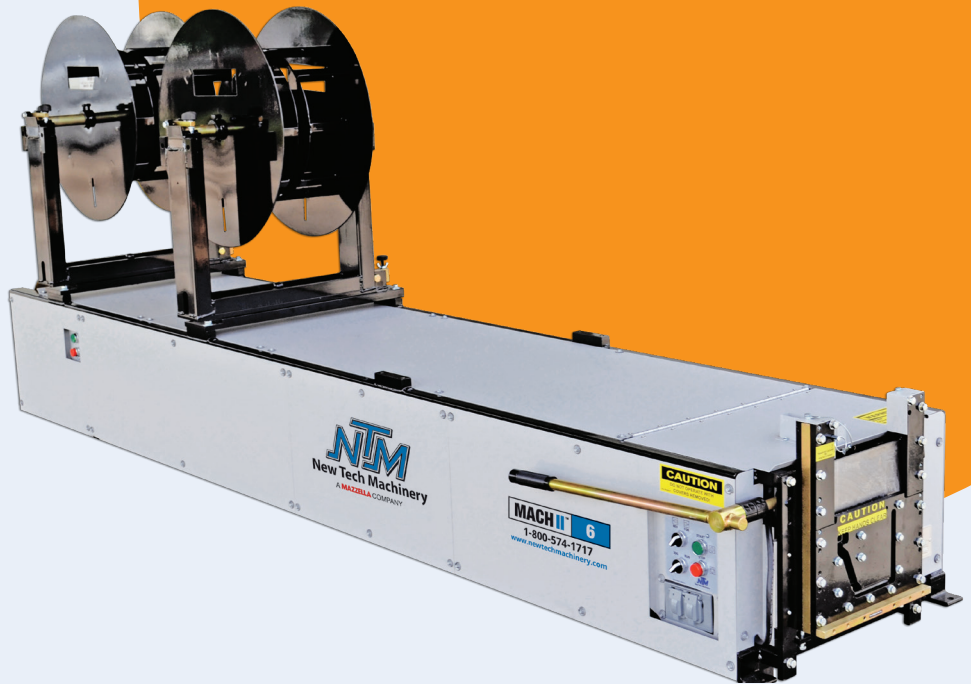


MACH II™

5", 6" AND 5"/6" GUTTER MACHINES

*The original polyurethane
drive system*



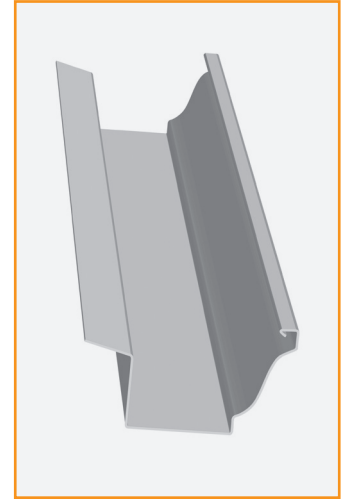
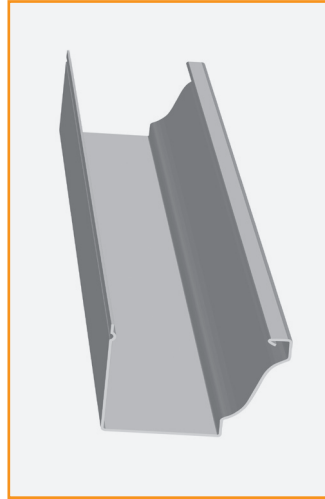
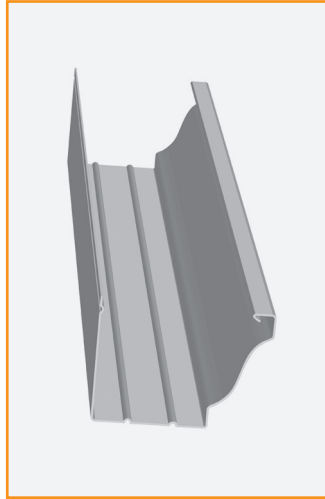
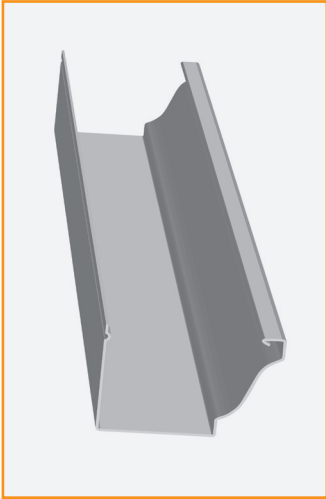
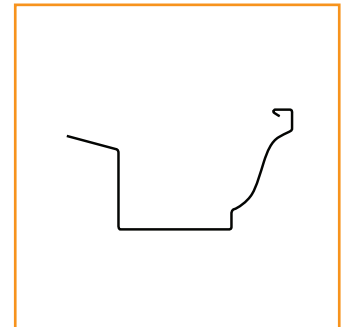
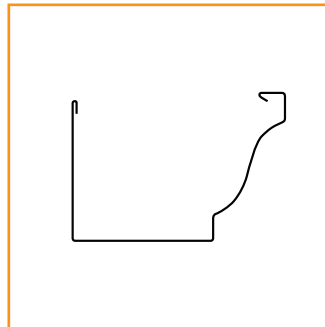
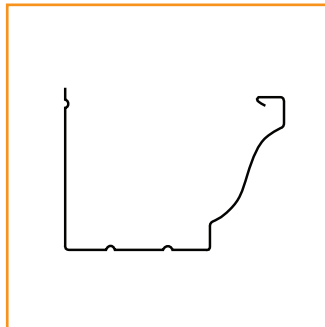
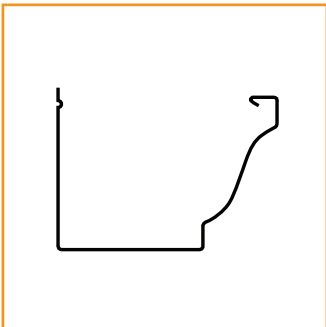
STANDARD FEATURES

- > Polyurethane drive rollers
- > Stainless steel forming rollers
- > Power interruption safety circuit
- > Industry's best warranty
- > Welded tubular steel frame
- > Electric motor 3/4 Hp 110 VAC, 60 Hz, 1 Ph, 11 Amps
- > Push button RUN/JOG controls at entry and exit ends

Note: Machine is shown with optional equipment.

GUTTER PROFILES

Straight Back profile is standard — all others optional



STRAIGHT BACK GUTTER

**GUTTER WITH
BOTTOM BEAD**

**GUTTER WITH
ALCOA HOOK**

**GUTTER WITH
BACK FLANGE***

1" or 1½" (25.4mm or 38.1mm)
*Not available on 5"/6" combo

WARRANTIES



USA & Canada Warranty: Three years parts (including electrical) and three years labor, limited lifetime against separation on drive rollers, limited lifetime against wear on stainless steel forming rollers



International Warranty: Three years parts (including electrical/excluding freight), limited lifetime against separation on drive rollers, limited lifetime against wear on stainless steel forming rollers



Scan the QR code or visit [newtechmachinery.com/Machines/Gutter-Machines/MACH-II-Gutter-Machines/MACH-II-5-6-5-6-Combo-Gutter-Machines](https://www.newtechmachinery.com/Machines/Gutter-Machines/MACH-II-Gutter-Machines/MACH-II-5-6-5-6-Combo-Gutter-Machines) to learn more about the MACH II 5", 6", and 5"/6" Combo Gutter Machines.