



Construction No. 610
TGKX.610
Roof Deck Constructions

[Page Bottom](#)

Design/System/Construction/Assembly Usage Disclaimer

- Authorities Having Jurisdiction should be consulted in all cases as to the particular requirements covering the installation and use of UL Listed or Classified products, equipment, system, devices, and materials.
 - Authorities Having Jurisdiction should be consulted before construction.
 - Fire resistance assemblies and products are developed by the design submitter and have been investigated by UL for compliance with applicable requirements. The published information cannot always address every construction nuance encountered in the field.
 - When field issues arise, it is recommended the first contact for assistance be the technical service staff provided by the product manufacturer noted for the design. Users of fire resistance assemblies are advised to consult the general Guide Information for each product category and each group of assemblies. The Guide Information includes specifics concerning alternate materials and alternate methods of construction.
 - Only products which bear UL's Mark are considered as Classified, Listed, or Recognized.
-

Roof Deck Constructions

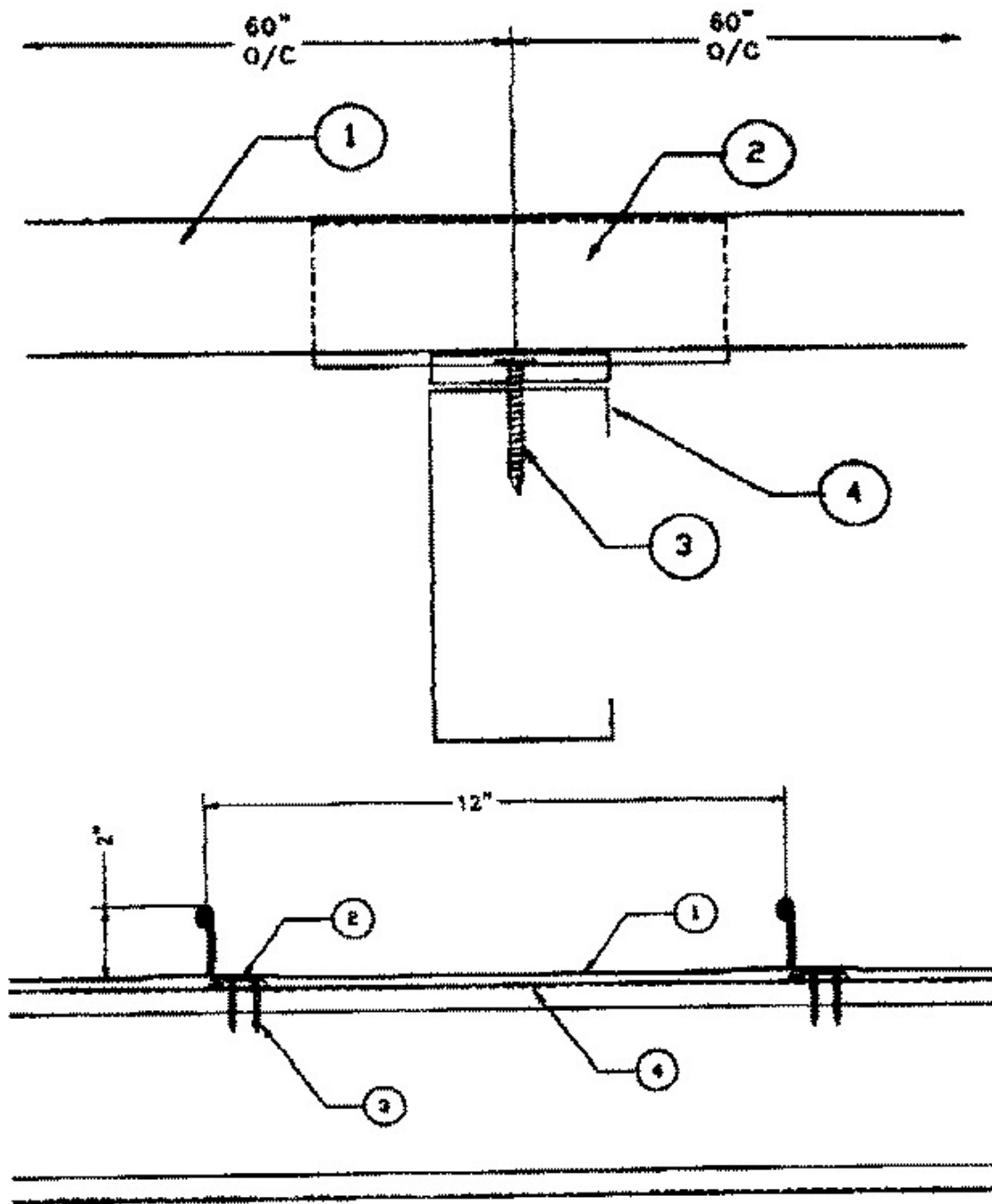
[See General Information for Roof Deck Constructions](#)

Construction No. 610

February 27, 2012

Uplift — Class 90

Fire Not Investigated



1. **Metal Roof Deck Panels*** — Min. No. 24 MSG (0.0225 in. thick steel). Max. width 12-1/2 in., height of female rib and male rib 2 in. Panels continuous over two or more spans with no end laps.

ACI BUILDING SYSTEMS INC ([View Classification](#)) — "UltraLok XL"

BOAK & SONS INC ([View Classification](#)) — "2 - BSMS"

BRIDGER STEEL ([View Classification](#)) — "2 in. Mechanical Lock"

INTEGRIS METALS INC ([View Classification](#)) — "Integriss System 5"

J A PIPER ROOFING CO ([View Classification](#)) — "2 in. Mechanical Seam Panel"

METAL FORMING INC ([View Classification](#)) — "2 in. Mechanical Lock"

MID-SOUTH METAL PRODUCTS ([View Classification](#)) — "MSMP 2 in. Mechanical Lock"

MODERN METAL SYSTEMS INC ([View Classification](#)) — "US200S"

NEW TECH MACHINERY CORP ([View Classification](#)) — "SS200"

PETERSEN DEAN COMMERCIAL INC ([View Classification](#)) — "200 Mech"

PREMIUM PANELS INC ([View Classification](#)) — "Premium Lock 200" or "P.L. 200"

ROLLFAB METAL BUILDING PRODUCTS ([View Classification](#)) — "2 in. Mechanical Lock"

SHEFFIELD METALS INTERNATIONAL ([View Classification](#)) — "SMI 2" Mechanical Seam"

U S METALS L L C ([View Classification](#)) — "US-200"

ZIMMERMAN METALS INC ([View Classification](#)) — "SS-2000A"

2. **Roof Deck Fasteners* (Panel Clips)** — Two part assembly consisting of an upper tab and a base. The upper tab is 4-1/4 in. wide and 2-1/4 in. high and is fabricated from min. No. 22 MSG coated steel. The base is 1-7/8 in. wide and 1-5/8 in. long and is fabricated from min. No. 16 MSG coated steel. Clips are to be spaced 60 in. OC max.

METAL FORMING INC ([View Classification](#)) — "2000SNS"

3. **Fasteners (Screws)** — Fasteners used to attach the panel clips to the purlins to be No. 1/4-14 by 1-1/4 in. long, self-drilling, self-tapping, hex-head, coated steel screws.

4. **Purlins No** — Min. No. 16 MSG steel (Minimum yield strength 50,000 psi). Spaced 60 in. OC max.

Refer to General Information, Roof Deck Constructions, for items not evaluated

*Bearing the UL Classification Mark

Last Updated on 2012-02-27

[Questions?](#)

[Print this page](#)

[Notice of Disclaimer](#)

[Page Top](#)

© 2012 UL LLC

The appearance of a company's name or product in this database does not in itself assure that products so identified have been manufactured under UL's Follow-Up Service. Only those products bearing the UL Mark should be considered to be Listed and covered under UL's Follow-Up Service. Always look for the Mark on the product.

UL permits the reproduction of the material contained in the Online Certification Directory subject to the following conditions: 1. The Guide Information, Designs and/or Listings (files) must be presented in their entirety and in a non-misleading manner, without any manipulation of the data (or drawings). 2. The statement "Reprinted from the Online Certifications Directory with permission from UL" must appear adjacent to the extracted material. In addition, the reprinted material must include a copyright notice in the following format: "© 2012 UL LLC".